

Island Canopy Rangehood

SERVICE TOLL FREE NUMBER

1800 805 300

SERVICE WEBSITE

www.customersupport.hapl.com.au

MODEL: ICG9BLS - 900mm (Curved glass &S/Steel)

 **HOME APPLIANCES**
distributors of
Euromaid IAG ARC FAGOR

 **HOME APPLIANCES**
distributors of
Euromaid IAG ARC FAGOR

Dear Customer,

We thank you for choosing this quality appliance and hope you enjoy many years of reliable service.

Please ensure this manual is read carefully before installation and use. Keep this manual in a safe and accessible location should future reference be required.

Regards

Home Appliances

CONTENTS

2	Notice
2	Safety Warning
3	Ducted installation
5	Re-circulated installation
6	Instructions of Use
9	Cleaning baffle filters
9	Replacing carbon filters
10	Cleaning rangehood
10	Replacing LED lights
11	Troubleshooting

NOTICE

1. Thank you for choosing our cooker hood. Please read the instruction manual carefully before use.
2. The installation work must be undertaken by a qualified and competent fitter.
3. The manufacturer disclaims all liability for any damage or injury caused as a result of not following instructions for installation contained in the following text.

The cooker hood is used on 220/240v, 50Hz.

SAFETY WARNINGS

- Installation of this Island Canopy Rangehood must be carried by a qualified and competent installer.
- The manufacturer disclaims and liability for any damage or injury caused as a result of not following instruction of installation contained in this instruction manual.
- This Island Canopy Rangehood is not intended for use by young children or infirm persons without supervision.
- Young children should be supervised to ensure they do not play with this Island Canopy Rangehood.
- To avoid possible electric shock this Island Canopy Rangehood should be unplugged before any maintenance or cleaning is carried out.
- This Island Canopy Rangehood cannot be installed in an external environment.
- The Grease Baffle Filters should be cleaned at least once a month to avoid the risk of fire.
- Flambe cooking cannot be carried out under the Island Canopy Rangehood and is not recommended for use over Barbeques.
- Ducting must be independent from any other form of ducting of other household heating sources, for example, combustion heater ducting.
- Ducting into wall cavities is prohibited unless the cavity has been designed for this purpose.
- Lit gas burner on cooktop should never remain uncovered or on when there is no pan present due to the risk of fire.
- Adequate ventilation of the room is required when the cooker hood is used at the same time as appliances burning gas or other fuels.

CAUTION: Accessible parts may become hot when used with cooking appliances.

INSTALLATION – Ducted installation

Note: Before installation, please ensure the area is clean to avoid suction of the remaining debris of wood, gyprock and dust.

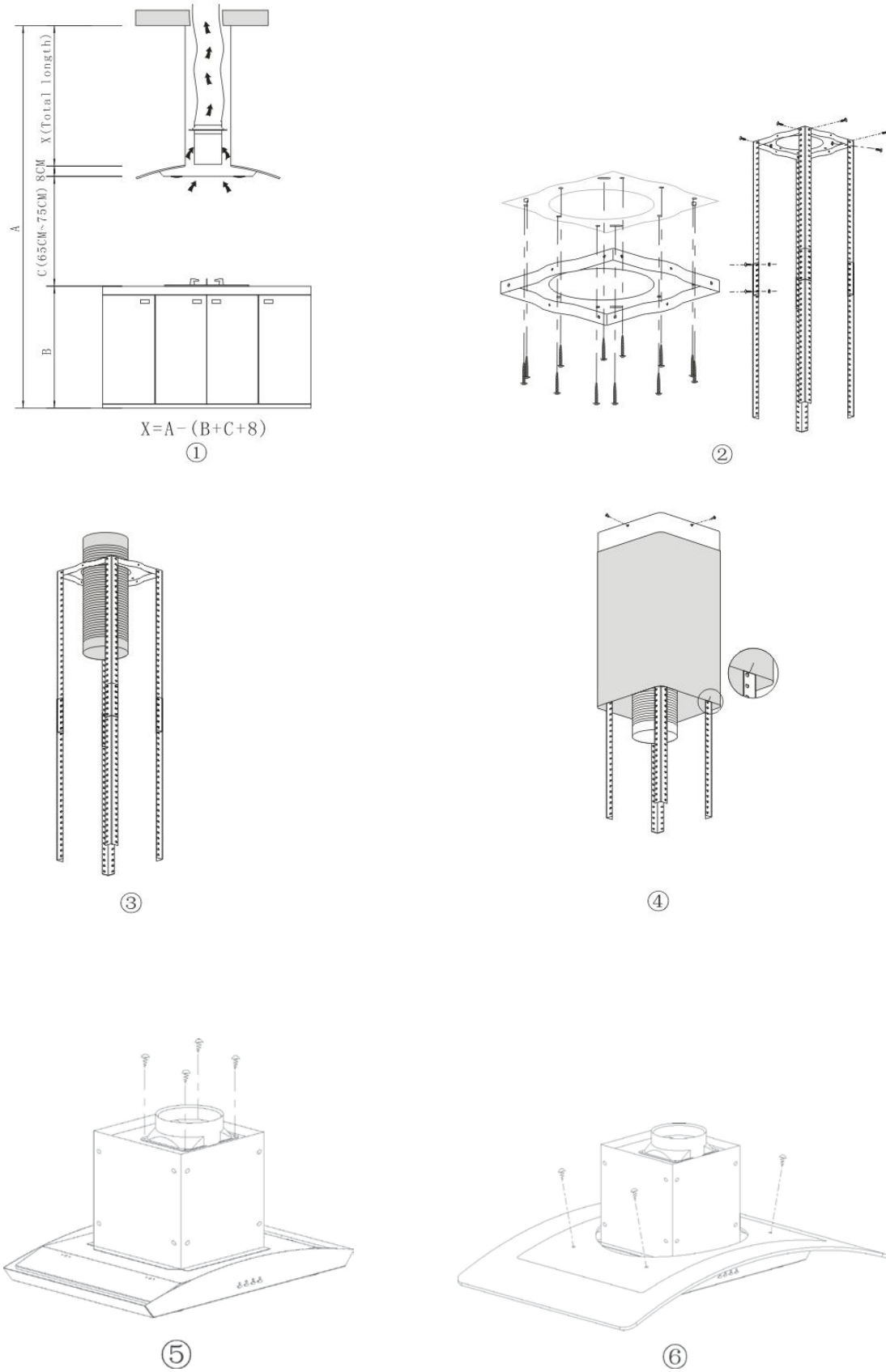
Ducting tube should be $\geq 120^\circ$, parallel or above the start point when connected to the external wall. Alternatively, ducting should travel in a straight run and out through the ceiling cavity to the outside through the roof.

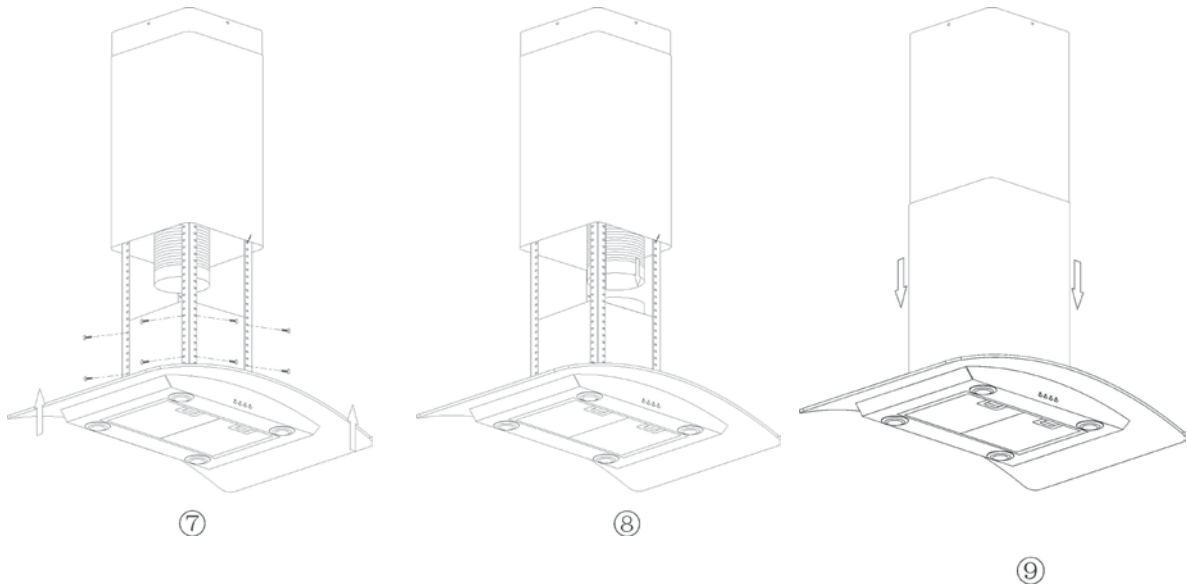
Warning: Ducting **must not terminate** (expel air) into the roof cavity as this could cause risk of fire. The ducting **MUST** go to the outside atmosphere using fire retardant type ducting.

After installation, make sure that the extractor is level to avoid grease collection at one end.

1. The ceiling must be able to bear at least 120kgs weight, and the thickness of the ceiling must be $\geq 30\text{MM}$, see pic 2, drill 1*170mm round hole in the ceiling.
2. Align up the hanging bracket, drill 12 holes in the ceiling, see pic 2, 12pcs of ST6*40mm big flat screws will be used to fix the hanging bracket on the ceiling, and then 8pcs of M4*10 screws and M4 nuts with gasket will be used to connect the angle support frame iron into the hanging bracket, see pic 1, calculate the length of the angle support frame iron, 16pcs M4*10 big flat screws and M4 nut with gasket will be used to connect the angle support frame iron and the other angle support frame iron (the overlap length of angle frame iron cannot less 100MM)
3. Let the one side of the extensible pipe go outside through the hole of 170MM, see pic 3.
4. 4pcs ST4*8 big flat screws will be used to connect the internal chimney into the hanging bracket, then put one the external chimney, two hooks will be used to put up the external chimney in order to the next installation, see pic 4.
5. 4pcs ST4*8 big flat screws will be used to install the outlet, see pic 5.
6. Adjust the 4 glass screws to check whether the glass and the cooker hood body connected well and fixed, see pic 6.
7. Hold up the hood, 16pcs M4*10 big flat screws will be used to connect the hood body into angle iron, see pic 7.
8. Put the extensible pipe on the outlet; after ensure all the things ok, put down the hook, take from the external chimney, all the installation is finished, see pic8.

Warning: Failure to install the screws or fixing device in accordance with these instructions may result in electrical hazards





INSTALLATION – Re-circulated installation

The **IA150IGRK re-circulating kit** will need to be purchased to perform this type of installation. The IA150IGRK consists of the following:

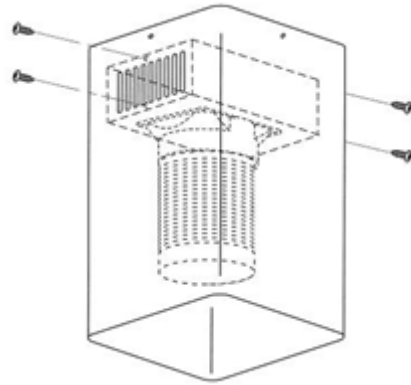
- 1 x CF120 carbon filter
- 1 x piece of flexible ducting
- 1 x re-circulating t-piece

Installation for re-circulating uses the same procedures as those for ducted installation with exception of the need to take the ducting to the outside atmosphere:

1. Follow steps 1, 2 of ducted installation.
2. Connect the extensible pipe to the re-circulating t-piece. see pic 10.
3. 4pcs of ST4*8 screws will be used to fix the re-circulating t-piece to the internal chimney. see pic 11.
4. Follow step 4, 5, 6, 7, 8 of ducted installation.
5. Fit the carbon filter to the underside of the motor housing in the support brackets located above the baffle filters.



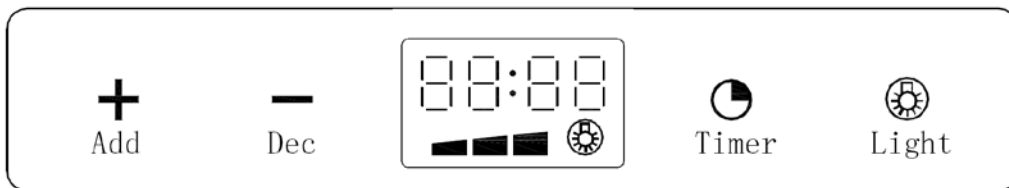
PIC 10








PIC 11

Instructions of USE

LCD Touch control



1. **Power on:** Plug in the rangehood, switch on the powerpoint, the LCD display will then light up, with time displaying. If there has been no other operation within 30 seconds, the backlight will turn off.
2. **"Light" touch button "☀️".** Press the "Light" button, the lights turn on; press the button again, the lights turn off.
3. **On position and Increasing Power touch button "⊕".** The motor is provided with three positions, i.e. low, medium and high.
 1. Press **⊕** button once, the **■** is displayed on the display screen, and the motor starts operation. The **■** is the low position (power on position.)
 2. Press **⊕** button once more at the low position, the **■■** is displayed on the display screen, and the **■■** is the medium position.

3. Press **+** button once more at the medium position, the  is displayed on the display screen, and the  is the high position.
 4. Go on pressing **+** button at the high position, the  is still displayed on the display screen, and the motor works normally. It is still at high position at this time.
4. **Decreasing Power and Off position touch button "—".**
1. Press "—" button once, the motor is adjusted to a lower position, and the LCD screen displays that position in the meantime; If it is decreased continuously to the position indicating no segments, then, this is the OFF position for the rangehood and the motor will stop.
5. **"Timer" touch button "⌚":**
1. **Setting the Time:** In the case of neither light nor motor working, the "Timer" button is used for setting the time.
 - ① Long press timer button ⌚ for 2-3 seconds, time segment , and the first two hour bit segment flash, use **+** button for the digit increase, and use **—** button for the digit decrease. Namely: The variable is 01 each time it is pressed; the hour segment is with the largest digit of 23. If it exceeds 23, **+** button is null and void. If it is equal to 00, then, the **—** button is null and void.
 - ② Press the timer button for the 2nd time ⌚, time segment , and the last two minute bit segment flash, use **+** button for the digit increase, and use **—** key for the digit decrease. Namely: The variable is 01 each time it is pressed; the minute segment is with the largest digit of 59. If it exceeds 59, **+** button is null and void. If it is equal to 00, then, the **—** button is null and void.
 - ③ Press the timer button ⌚ for the 3rd time, and it is the time setting exit and confirm key.
 - ④ Long press timer button ⌚ for 2-3 seconds under this operation mode, and it is for the hour setting; Press it for the 2nd time: Setting for the minute; Press it for the 3rd time: For the time setting exit and confirm, and it will be repeated again and again (if the 1st time pressing doesn't

exceed 2 seconds, then it can't run this operating procedure.)

2. **Setting the Off Timer:** In the case of either light or motor working, the "Timer" button is for duration time settings.

① It is provided with three kinds of time segment, and they are 5min/15min/30min/timer cancel in sequence, and the 1st time is 5min, the 2nd time is 15min, the 3rd time is 30min, the 4th time is timer cancel, the 5th time is 5min, and the 6th time is 15min, and it will be repeated again and again.

② Example: Let the setting time be 15min, the display is 00:15, 00:14, . . .00:1, with 0:00 displays per minute, and once "00:00" appears, the motor position and the indicator power supply will be cut off automatically, (the display screen displays "24-hour system", the output is blocked up, and the soot machine enters standby status, and the backlight will be put out automatically 30 seconds later.)

③ Time segment change over, 5 seconds later, it starts to decrease gradually (example: 15min is changed over to 30min, with a delay of 5 seconds, and 00:30 on the display screen starts to decrease gradually).

MAINTENANCE

The cleaning of the Baffle Filters

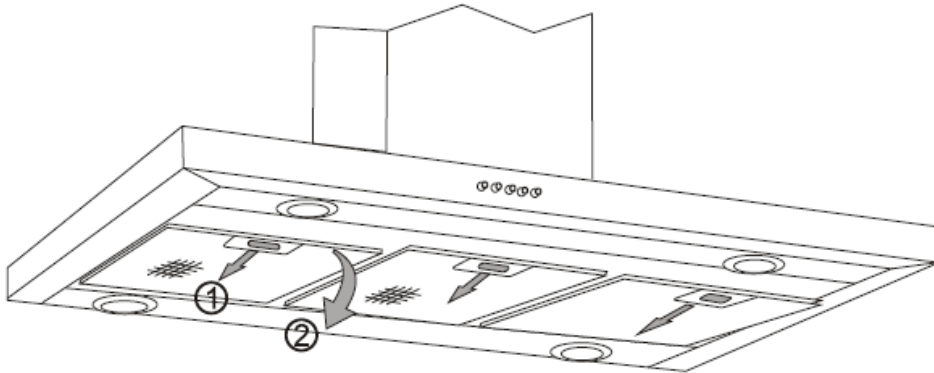
The baffle filter is made of high-density stainless steel. Please do not use the corrosive detergent on it. Keeping this filter clean will keep the appliance running correctly. Please strictly follow the guidelines below.

This procedure should be done on a monthly basis, or more depending on the type of cooking done.

Remove filters by depressing the button which will disengage the filter from the tab holes in the edge of the filter carriage. Ensure that the free hand supports the filters from falling onto the cooktop under the rangehood.

Method 1: Put the filter into 40-50°C clean water, pour on detergent, and soak for 2-3 mins. Wear gloves and clean with a soft brush. Leave in sink dish drainer or in the sun to ensure filters are completely dry before refitting

Method 2: The baffle filters are suitable for cleaning within a dishwasher, use normal programme which is normally set at around 60 degrees.



Replacing carbon filters (when installed in re-circulating mode)

Note: Carbon Filters cannot be washed and re-used, they must be removed, discarded and replaced to ensure they work correctly.

This procedure should be done on a 6 monthly basis although dependant on the type of cooking performed and may require changing more or less often.

Remove baffle filters as described in previous section.

Remove saturated carbon filter in place and discard. Replace with the new carbon filter, model number, CF120

Cleaning rangehood

Before carrying out any cleaning of the rangehood ensure the power is turned off at the powerpoint and unplug for safety reasons. As the powerpoint may be in the ceiling, turn off circuit breaker that the rangehood is connected to at the circuit board.

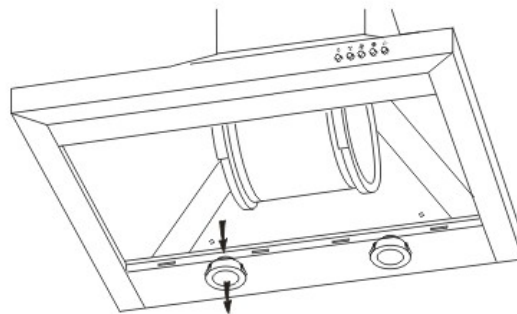
- A. To protect the main body from corrosion over a long period of time, the cooker hood should be cleaned with hot water plus non corrosive detergent every month. The rangehood should be wiped down with a soft cloth following cleaning to remove any excess water on the hood.
- B. Please do not use abrasive cleaning products as this could damage the surface.
- C. Keep the motor and other spare parts free from water, as this will cause damage to the appliance.
- D. Before cleaning the appliance please remember to cut off power
- E. The carbon filter shouldn't be exposed to heat.
- F. Please don't tear open the fixed bar around the carbon filter
- G. If the supply cord is damaged, it must be replaced by the manufacturer, its service agent or similarly qualified persons in order to avoid a hazard.

Replacing LED lights

Warning: *The rangehood must be disconnected prior to this procedure being carried out.*

Remove the baffle filters.

Push the LED light downwards, and unplug the wiring connector.
Replace with new LED lamp.



Troubleshooting

Fault	Cause	Solution
Light on, but motor does not work	The leaf blocked	Get rid of the blocking
	The capacitor damaged	Replace capacitor
	The motor jammed bearing damaged	Replace motor
	The internal with of motor off or a bad smell from the motor	Replace motor
Light does not work, motor does not work	Beside the above mentioned, check the following:	
	Light damaged	Replace lights
	Power cord looses	Connect the wires as per the electric diagram
Oil leakage	One way valve and the air ventilation entrance are not tightly sealed	Take down the one way valve and seal with glue
	Leakage from the connection of U-shaped section and cover	Take U-shaped section down and seal with soap or paint
Shake of the body	The leaf damaged and causes shaking	Replace the leaf
	The motor is not tightly hanged	Lock the motor tightly
	The body is not tightly hanged	Fixed the body tightly
Insufficient suction	The distance between the body and the gas top too long	Readjust the distance
	Too much ventilation from open doors or windows	Choose a new place and resemble the machine
The machine inclines	The fixing screw not tight enough	Tighten the hanging screw and make it horizontal
	The hanging screw not tight enough	Tighten the hanging screw and make it horizontal