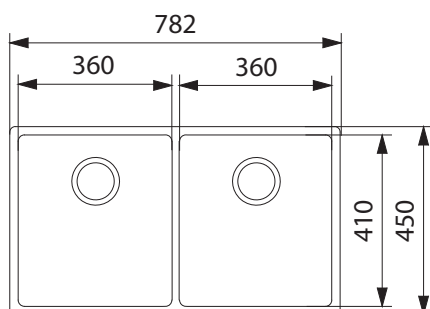


FRANKE

BOW DOUBLE BOWL

INSET/UNDERMOUNT/FLUSHMOUNT SINK - BXX 220-36/36



FEATURES

Model	BXX 220-36/36
Bowl configuration	Double bowl
Bowl(s)	Stainless steel with cr=12 mm corners and rear waste
Finish	Stainless steel
Fixing	Fast fix installation system
Colours	N/A

SPECIFICATIONS

Recommended use	Domestic
Material	Stainless steel
Formation	Welded
Tap Holes	N/A
Dimensions	782 x 450 mm
Bowl Size	360 x 410 x 200 mm/28 L (x2)
Cut Out	Template
Cabinet Size	800 mm
Waste Outlet	90 mm
Features	Waste to rear, sound deadening pads, bowl insulation, fast fix installation system
Accessories	Accessories Included: Please refer to website for more information
Models available	BXX 210-50 BXX 210-36 BXX 210-68



To see the complete FRANKE range go to www.reece.com.au/bathrooms

CLEANING RECOMMENDATIONS

We recommend the use of soapy water or approved cleaners.

This product should not be cleaned with abrasive materials.

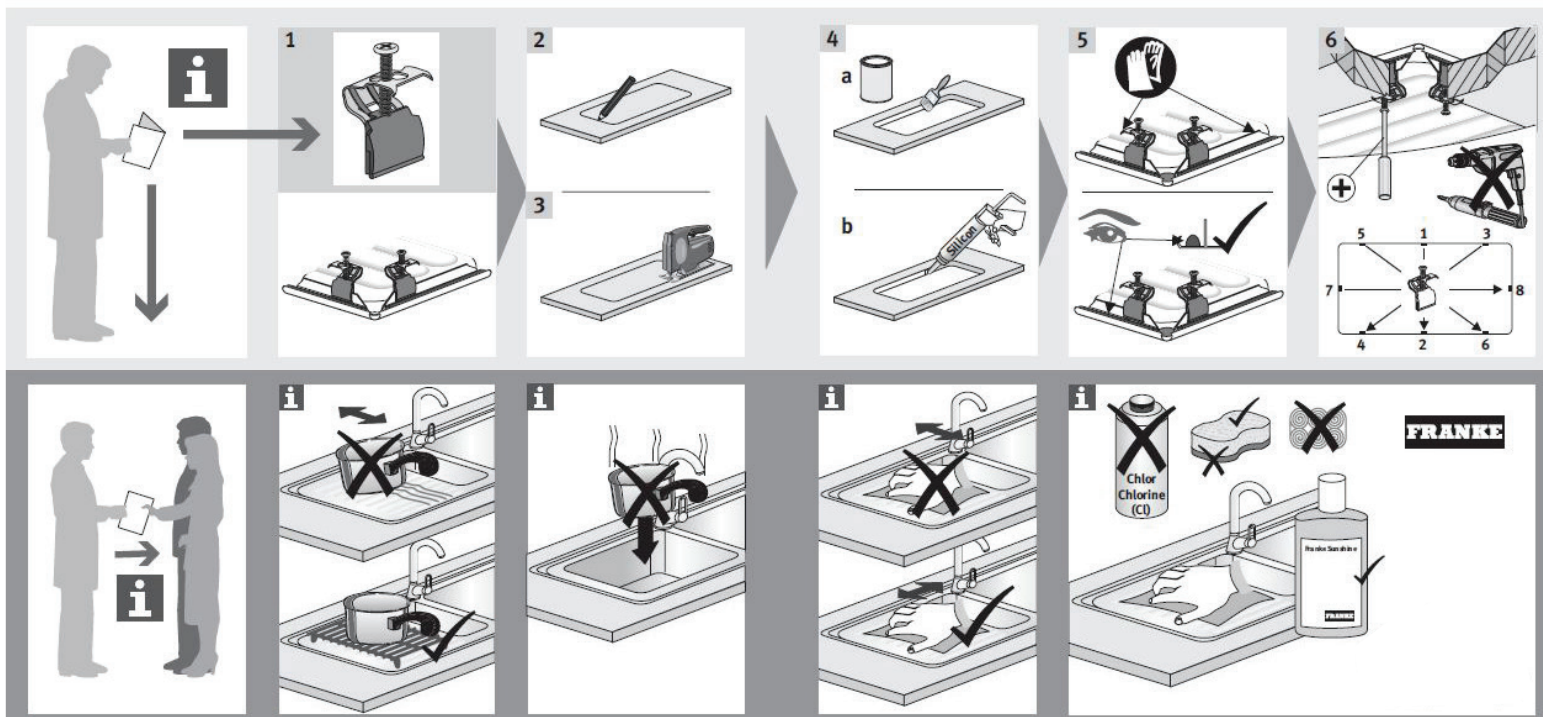
Damage caused by any improper treatment is not covered by the product warranty - refer to Warranty Conditions.

Disclaimer: Products in this specification manual must by regulation be installed by licensed and registered trade people. The manufacturer/distributor reserves the right to vary specifications or delete models from their range without prior notification. Dimensions are nominal measurements only. Dimensions and set-outs listed are correct at time of publication however the manufacturer/distributor takes no responsibility for printing errors.

FRANKE

BOW DOUBLE BOWL INSET/UNDERMOUNT/FLUSHMOUNT SINK - BXX 220-36/36

INSTALLATION INSTRUCTIONS - INSET



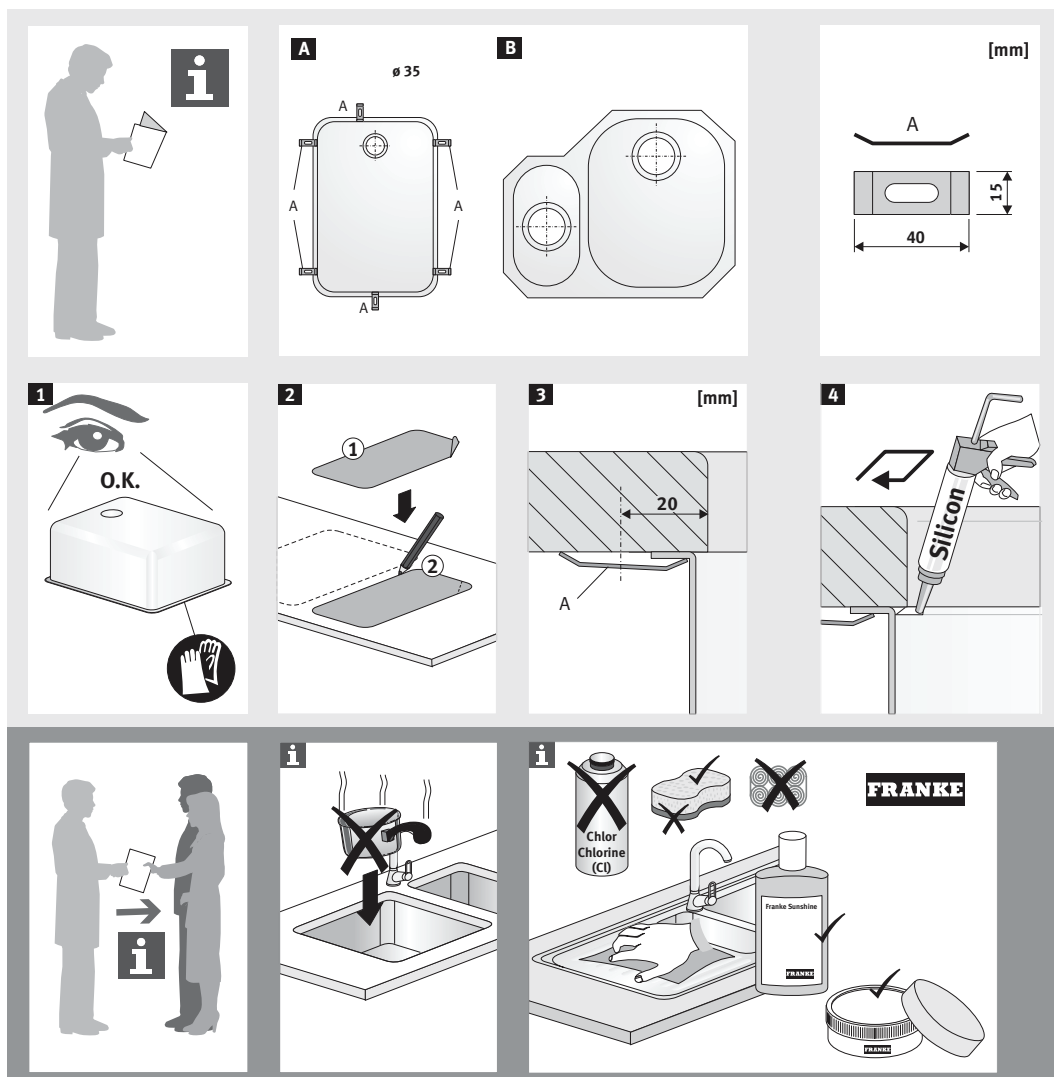
Plumbers, please ensure a copy of the installation instructions is left with the end user for future reference



FRANKE

BOW DOUBLE BOWL INSET/UNDERMOUNT/FLUSHMOUNT SINK - BXX 220-36/36

INSTALLATION INSTRUCTIONS - UNDERMOUNT

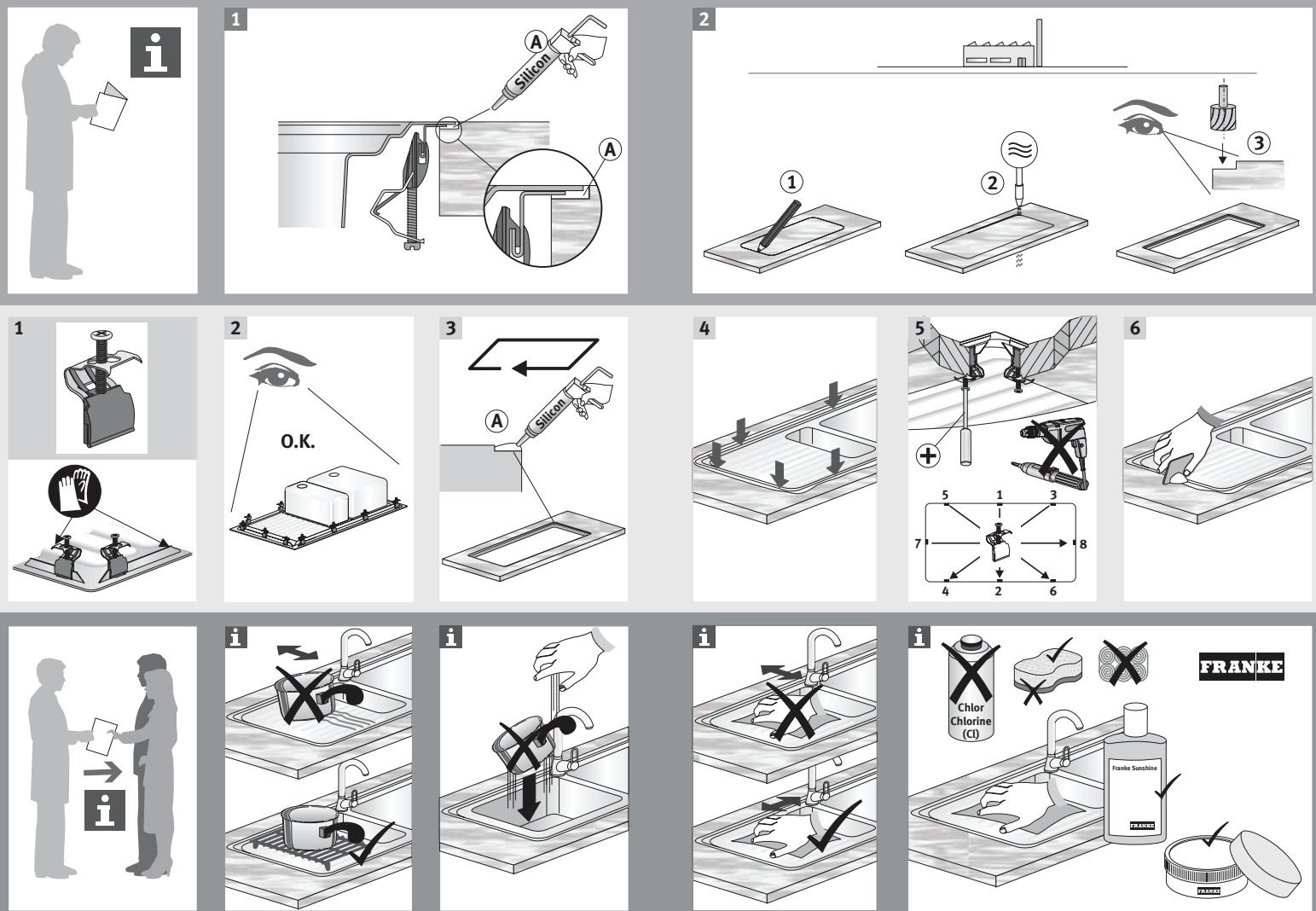


FRANKE

BOW DOUBLE BOWL

INSET/UNDERMOUNT/FLUSHMOUNT SINK - BXX 220-36/36

INSTALLATION INSTRUCTIONS - FLUSHMOUNT



Don't risk it, use a licensed plumber.™

Plumbers, please ensure a copy of the installation instructions is left with the end user for future reference

