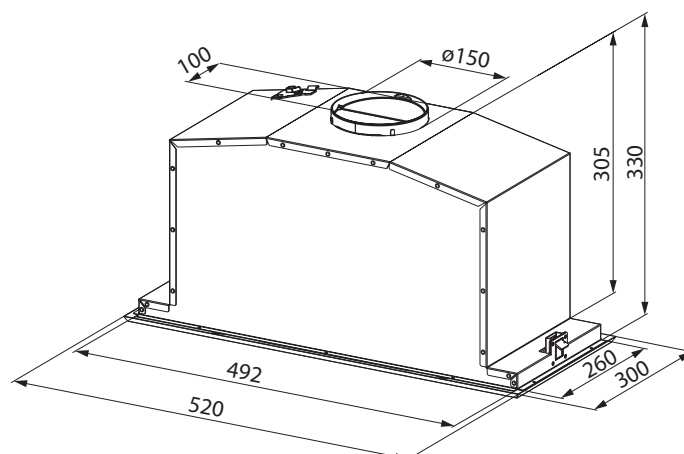


# FRANKE DESIGNER SERIES

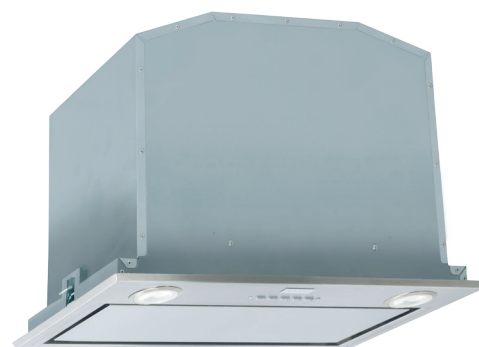
## DESIGNER UNDERMOUNT RANGEHOOD 52CM



Dimensions are nominal measurements only.

### SPECIFICATIONS

<b>Recommended use</b>	Domestic
<b>Material</b>	Stainless Steel
<b>Colour availability</b>	Stainless Steel
<b>Weight</b>	10kg
<b>Dimensions</b>	520 x 300 x 330mm
<b>Width</b>	520mm
<b>Voltage</b>	220-240V / 50Hz
<b>Air Flow</b>	690 m3/h
<b>Noise level (dBa)</b>	50
<b>Lighting</b>	LED 2x1W
<b>Plug</b>	Plug with 3 pins
<b>Switch</b>	Push button (electronics)
<b>Fan</b>	3 Speed
<b>Filter</b>	Aluminium mesh



To see the complete FRANKE range go to [www.reece.com.au/bathrooms](http://www.reece.com.au/bathrooms)

### CLEANING RECOMMENDATIONS

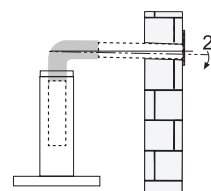
Open the doors. Remove the Filter, pushing it towards the back of the unit and at the same time pulling downward. Wash the filter without bending it, and leave it to dry thoroughly before replacing (if the surface of the filter changes colour over time, this will have absolutely no effect on its efficiency). Replace, taking care to ensure that the handle faces forwards. Close the doors again. Damage caused by any improper treatment is not covered by the product warranty. Refer to Warranty Conditions.

# FRANKE

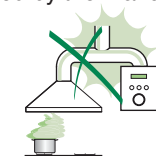
## DESIGNER UNDERMOUNT RANGEHOOD 52CM

### INSTALLATION INSTRUCTIONS

- The manufacturer will not be held liable for any damages resulting from incorrect or improper installation.
- The minimum safety distance between the cooker top and the extractor hood is 650 mm (some models can be installed at a lower height, please refer to the paragraphs on working dimensions and installation).
- Check that the mains voltage corresponds to that indicated on the rating plate fixed to the inside of the hood.
- For Class I appliances, check that the domestic power supply guarantees adequate earthing.
- Connect the extractor to the exhaust flue through a pipe of minimum diameter 120 mm. The route of the flue must be as short as possible.
- Do not connect the extractor hood to exhaust ducts carrying combustion fumes (boilers, fireplaces, etc.).
- If the extractor is used in conjunction with non-electrical appliances (e.g. gas burning appliances), a sufficient degree of aeration must be guaranteed in the room in order to prevent the backflow of exhaust gas. The kitchen must have an opening communicating directly with the open air in order to guarantee the entry of clean air. When the cooker hood is used in conjunction with appliances supplied with energy other than electric, the negative pressure in the room must not exceed 0,04 mbar to prevent fumes being drawn back into the room by the cooker hood.



- The air must not be discharged into a flue that is used for exhausting fumes from appliances burning gas or other fuels (not applicable to appliances that only discharge the air back into the room).
- If the supply cord is damaged, it must be replaced by the manufacturer, its service agent or similarly qualified persons in order to avoid a hazard.



- If the instructions for installation for the gas hob specify a greater distance specified above, this has to be taken into account. Regulations concerning the discharge of air have to be fulfilled.
- Use only screws and small parts in support of the hood.
- Warning: Failure to install the screws or fixing device in accordance with these instructions may result in electrical hazards.
- Connect the hood to the mains through a two-pole switch having a contact gap of at least 3 mm.
- Allow disconnection of the appliance from the supply after installation. The disconnection may be achieved by having the plug accessible or by incorporating a switch in the fixed wiring in accordance with the wiring rules.

# FRANKE

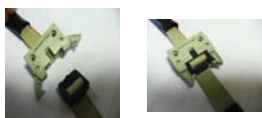
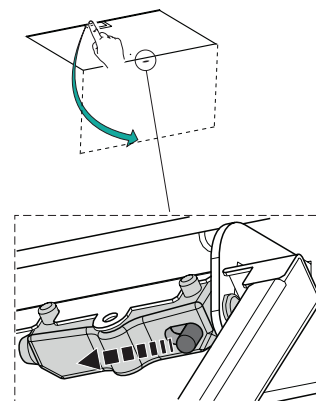
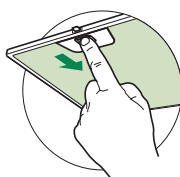
## DESIGNER UNDERMOUNT RANGEHOOD 52CM

### INSTALLATION INSTRUCTIONS

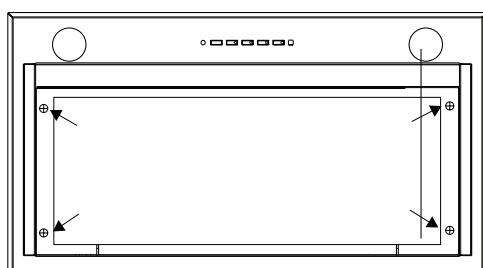
#### FITTING THE HOOD CANOPY

Before fitting the hood to the wall unit, proceed as follows:

1. Open the Panel by pulling it.
2. Remove the filters one by one pushing them towards the back side of the hood unit and simultaneously pulling downwards.
3. Remove grease filters.

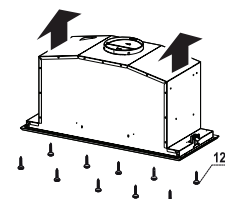
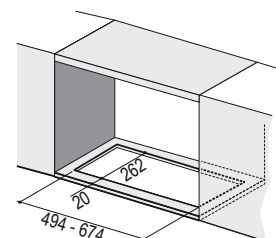


4. Disconnect the wires to the Commands at the connectors.
5. Disconnect the wires to the Light at the connectors.



6. Remove the frame by unfastening the 4 screws (2 on the right and 2 on the left).

7. The Hood can be installed directly on the underside of the wall unit (Minimum 650 mm from the Cooker Hob).
8. Create an opening in the bottom of the wall unit, as shown.
9. Fasten using the 10 screws 12a provided.
10. Screw the Frame back into place using the 4 screws removed as described above, reconnect the wires to the Commands and Lights replace the metal grease filter and close the Panel.



# FRANKE

## DESIGNER UNDERMOUNT RANGEHOOD 52CM

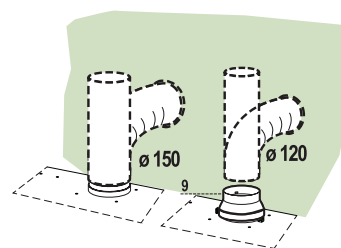
### INSTALLATION INSTRUCTIONS

#### CONNECTIONS

Ducted version air exhaust system:

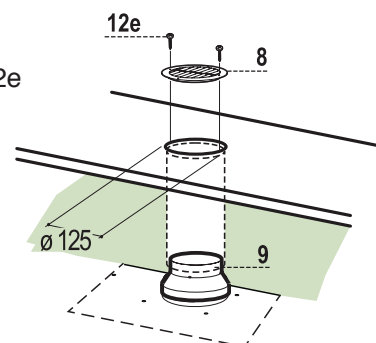
When installing the ducted version, connect the hood to the chimney using either a flexible or rigid pipe  $\varnothing$  150 or 120 mm, the choice of which is left to the installer.

- To install a  $\varnothing$  120 mm air exhaust connection, insert the reducer flange 9 on the hood body outlet.
- Fix the pipe in position using sufficient pipe clamps (not supplied).
- Remove possible charcoal filters.



#### RECIRCULATION VERSION AIR OUTLET

- Cut a hole  $\varnothing$  125 mm in any shelf that may be positioned over the hood.
- Insert the reducer flange 9 on the hood body outlet.
- Connect the flange to the outlet on the shelf over the hood by using a flexible or rigid pipe  $\varnothing$  120 mm.
- Fix the pipe in position using sufficient pipe clamps (not supplied).
- Fix the air outlet grid 8 on the recirculation air outlet by using the 2 screws 12e (2,9 x 9,5) provided.
- Ensure that the activated charcoal filters have been inserted.



#### ELECTRICAL CONNECTION

- Connect the hood to the mains through a two-pole switch having a contact gap of at least 3mm.